

# Z CAM EVF

Electronic Viewfinder

## What is in the box?

1. Z CAM EVF Electronic Viewfinder
2. Plastic eye piece
3. LEMO to D-Tap power cable
4. 2x WiFi antenna

## How to install the EVF?

1. Fix EVF on to the camera rig through the rosette.
2. Take off the lens cap of the diopter.

## How to power the EVF?

1. Connect LEMO plug of the power cable to the LEMO power socket on the rear of EVF.
2. Connect D-Tap plug of the power cable to a V Mount battery (12V~16.8V).

## How to feed video source to EVF?

1. HDMI signal – connect to HDMI socket on the rear of EVF.
2. SDI signal – connect to SDI socket on the rear of EVF.

## How to install WiFi antenna?

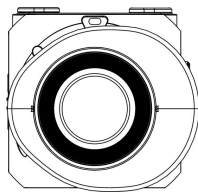
1. Open the flap of the antenna port on top of EVF.
2. Screw in the antenna clockwise.
3. Install both antennas.
4. Antennas are needed only for wireless transmission.

## How to turn on EVF?

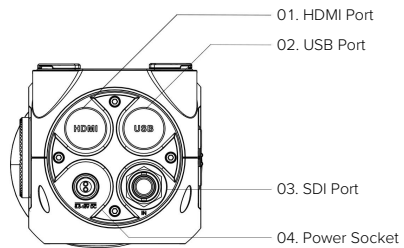
1. Make sure that power is connected.
2. Slide the power switch to the upward position.
3. To turn off, slide the power switch to the downward position.

For further detailed instructions please visit [www.z-cam.com](http://www.z-cam.com).

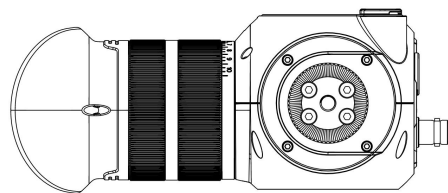
## Electronic Viewfinder Introduction



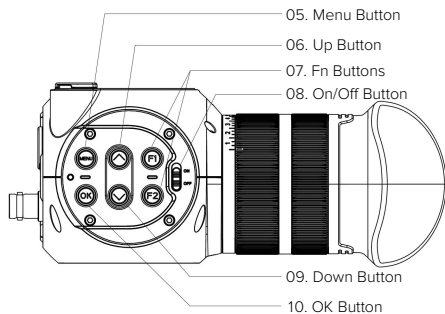
Front



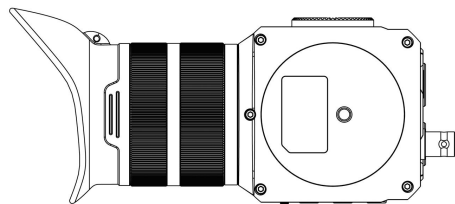
Back



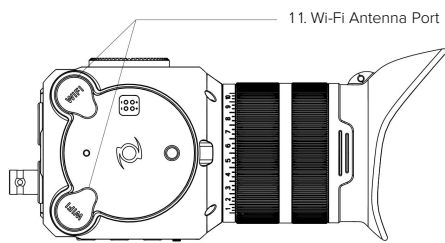
Left



Right

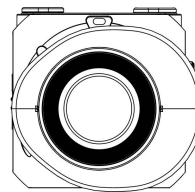


Under

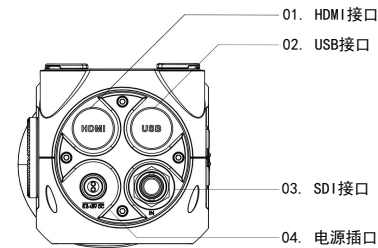


Top

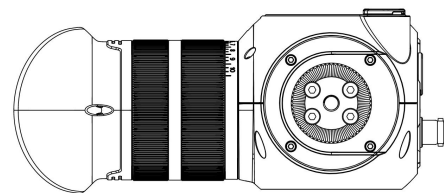
## 电子取景器介绍



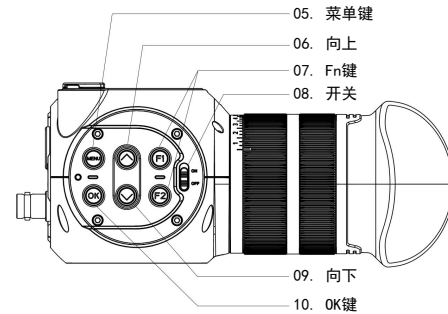
正面



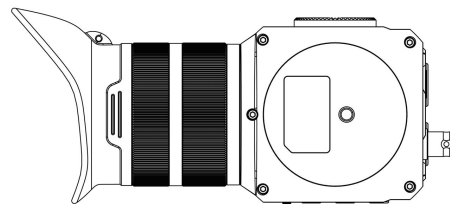
背面



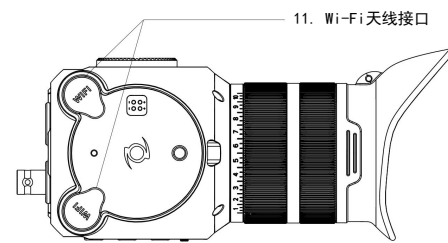
左面



右面



底面



顶面

## FCC compliance statement

This device complies with Part 15 of the FCC Rules. Operation is subject to the following two conditions: (1) this device may not cause harmful interference, and (2) this device must accept any interference received, including interference that may cause undesired operation.

Changes or modifications not expressly approved by the party responsible for compliance could void the user's authority to operate the equipment.

This equipment has been tested and found to comply with the limits for a Class B digital device, pursuant to Part 15 of the FCC Rules. These limits are designed to provide reasonable protection against harmful interference in a residential installation.

This equipment generates, uses and can radiate radio frequency energy and, if not installed and used in accordance with the instructions, may cause harmful interference to radio communications. However, there is no guarantee that interference will not occur in a particular installation.

If this equipment does cause harmful interference to radio or television reception, which can be determined by turning the equipment off and on, the user is encouraged to try to correct the interference by one or more of the following measures:

- Reorient or relocate the receiving antenna.
- Increase the separation between the equipment and receiver.
- Connect the equipment into an outlet on a circuit different from that to which the receiver is connected.
- Consult the dealer or an experienced radio/TV technician for help.

## 盒子里有什么？

1. Z CAM 电子取景器
2. 塑胶眼罩
3. LEMO 转 D-Tap 电源线
4. 2 根 WiFi 天线

## 如何安装电子取景器？

1. 通过盘齿接口将电子取景器固定在相机兔笼上。
2. 取下瞄准器的镜头盖。

## 如何给电子取景器供电？

1. 将电源线的 LEMO 插头连接到电子取景器背面的 LEMO 电源插座。
2. 将电源线的 D-Tap 插头连接到 V 型电池(12V~16.8V)。

## 如何提供视频源给电子取景器？

1. HDMI 信号 - 连接到电子取景器背面的 HDMI 插孔。
2. SDI 信号 - 连接到电子取景器背面的 SDI 插座。

## 如何安装 WiFi 天线？

1. 打开电子取景器顶部的天线端口盖。
2. 顺时针拧入天线。
3. 安装两根天线。
4. 只有无线传输才需要天线。

## 如何启动电子取景器？

1. 确认已连接电源。
2. 将电源开关滑到上方位置。
3. 要关闭电源,请将电源开关滑到下方位置。

有关更多详细的使用说明请访问 [www.z-cam.com/cn](http://www.z-cam.com/cn)。